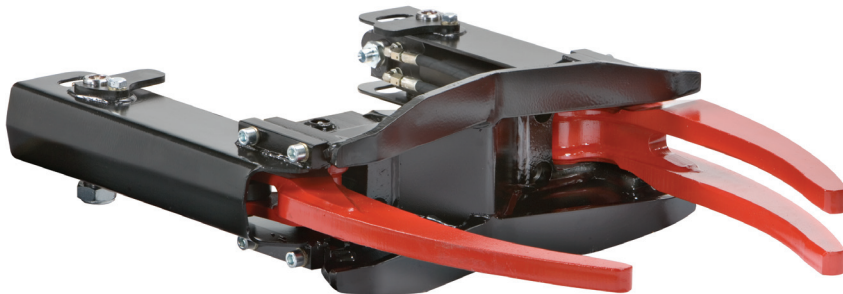




ENG

# GRAPPLE MODULE **G510**

Grapple module for Rototilt RT 20, RT 30 and RT 40



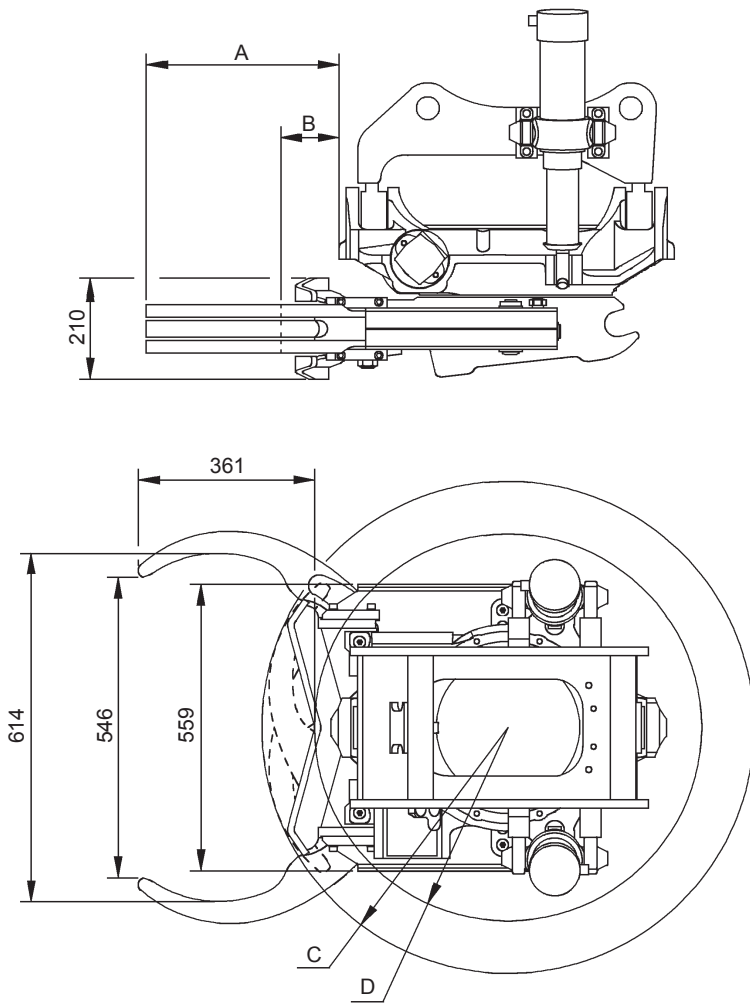
The G510 grapple module is a detachable grab that is easy to assemble and dismantle. The G510 grapple module's grab cylinders have valves that facilitate the connection of additional hydraulic functions.

A grapple module makes the Rototilt more flexible than ever. It provides a grab function that is always available, regardless of whether or not the bucket is attached.

An effective grabbing tool ideal for straightforward pipe-laying operations, pole erection, paving, scrap handling and much more.

- Easy to assemble and dismantle
- Generous grab width
- Three-finger claws
- Compact, robust and light
- Service-friendly
- Doesn't effect build height
- Well-protected grab cylinders

# GRAPPLE MODULE G510



	A	B	C	D
RT 20-S45	501	225	522	394
RT 20-S50	501	225	522	394
RT 30-S45	432	156	522	394
RT 30-S50	432	156	522	394
RT 40-S45	415	139	531	414
RT 40-S50	415	139	531	414

To convert "mm" into "inch" divide by 25,4

The G510 grapple module is an optional device for Rototilt RT 20, RT 30 and RT 40.

G510 is compatible with quick couplers of type S45 and S50.

- The G510 grapple can easily be added afterwards.
- Pilot-controlled check valves keep the load in place in the event of pressure loss.

## Technical data

Weight, kg (lb)	65 (143)
Max. hydraulic pressure, MPa (psi)	25 (3 625)
Grapple force, max. open, kN (lbf)	7,5 (1 686)
Grapple force, jaw-to-jaw, kN (lbf)	10 (2 248)
Max. lifting capacity, kg (lb)	500 (1 102)

## Grapple modul - G510

1047 687 eng

2007 03 22