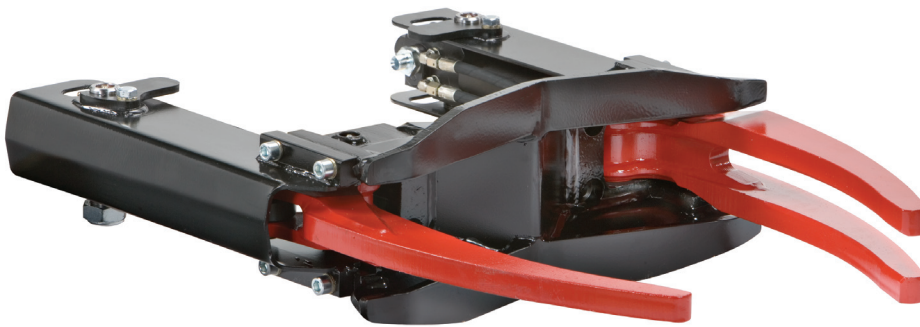




ENG

GRAPPLE MODULE **G910**

Grapple module for Rototilt RT 60B and RT 80



The G910 grapple module is a detachable grab that is easy to assemble and dismantle.

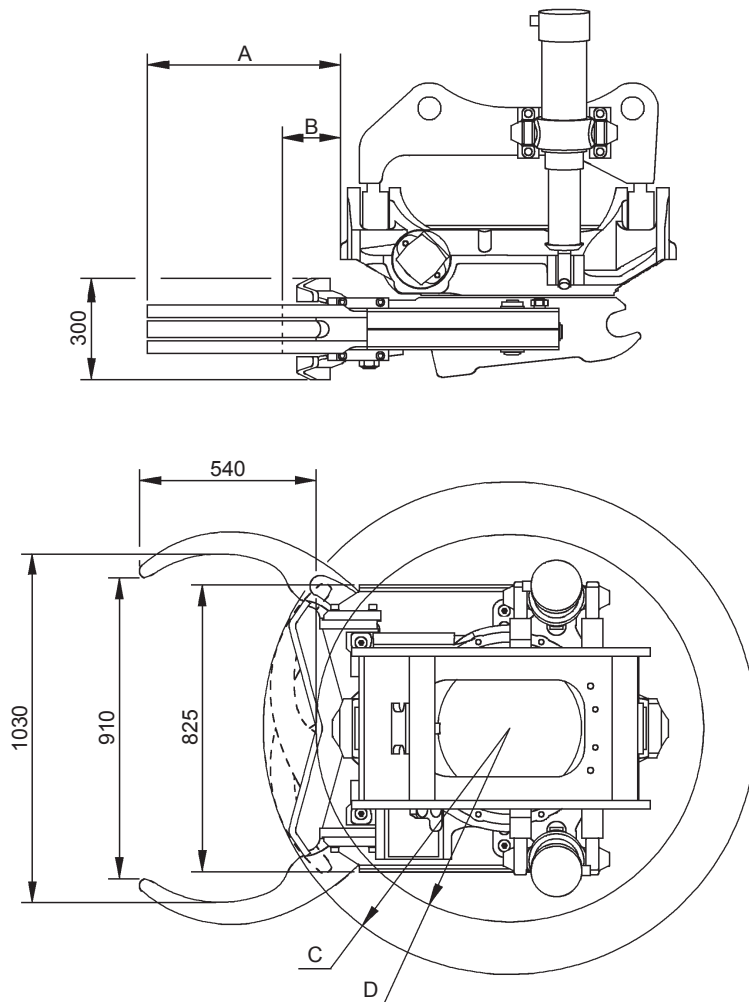
The G910 grapple module's grab cylinders have valves that facilitate the connection of additional hydraulic functions.

A grapple module makes the Rototilt more flexible than ever. It provides a grab function that is always available, regardless of whether or not the bucket is attached.

An effective grabbing tool ideal for straightforward pipe-laying operations, pole erection, paving, scrap handling and much more.

- Easy to assemble and dismantle
- Generous grab width
- Three-finger claws
- Compact, robust and light
- Service-friendly
- Doesn't effect build height
- Well-protected grab cylinders

GRAPPLE MODULE **G910**



	A	B	C	D
RT 60B-S70	662	258	700	542
RT 80-S70	588	184	691	532
RT 80-S1	638	234	738	582
RT 80-S2	638	234	738	582
RT 80-B27	769	365	863	713

To convert "mm" into "inch" divide by 25,4

The G910 grapple module is an optional device for Rototilt RT 60B and RT 80.

G910 is compatible with quick couplers of type S1, S2, B27 and S70.

- The G910 grapple can easily be added afterwards.
- Pilot-controlled check valves keep the load in place in the event of pressure loss.

2007 03 15 1047 745 eng

Technical data

Weight, kg (lb)	155 (342)
Max. hydraulic pressure, MPa (psi)	25 (3 626)
Grapple force, max. open, kN (lbf)	11(2 473)
Grapple force, jaw-to-jaw, kN (lbf)	19 (4 271)
Max. lifting capacity, kg (lb)	1300 (2 866)

Grapple module - G910